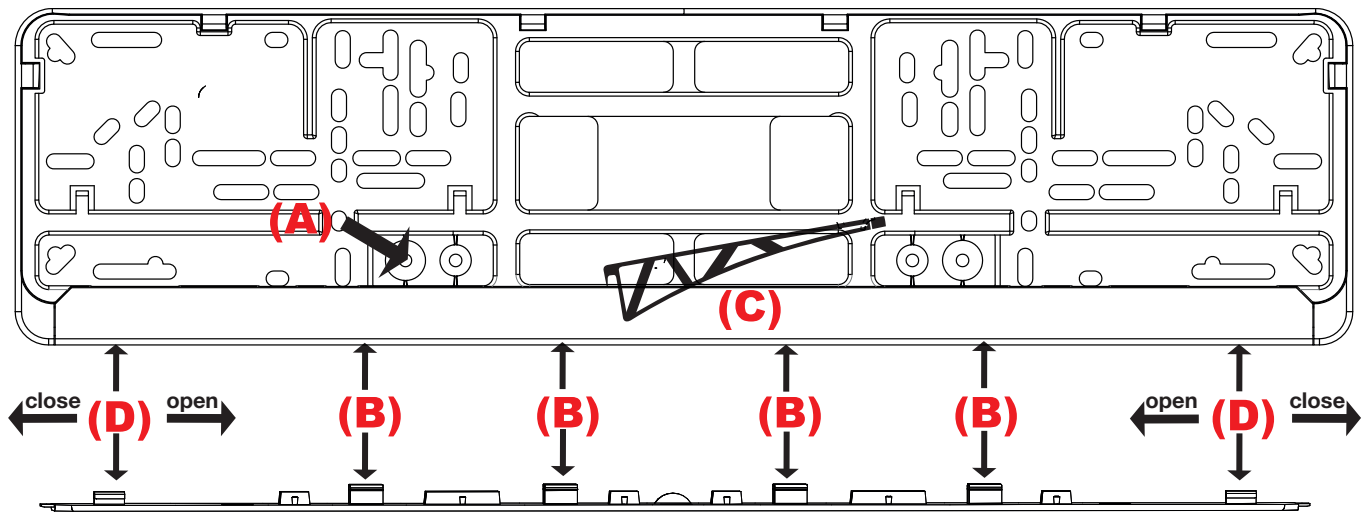
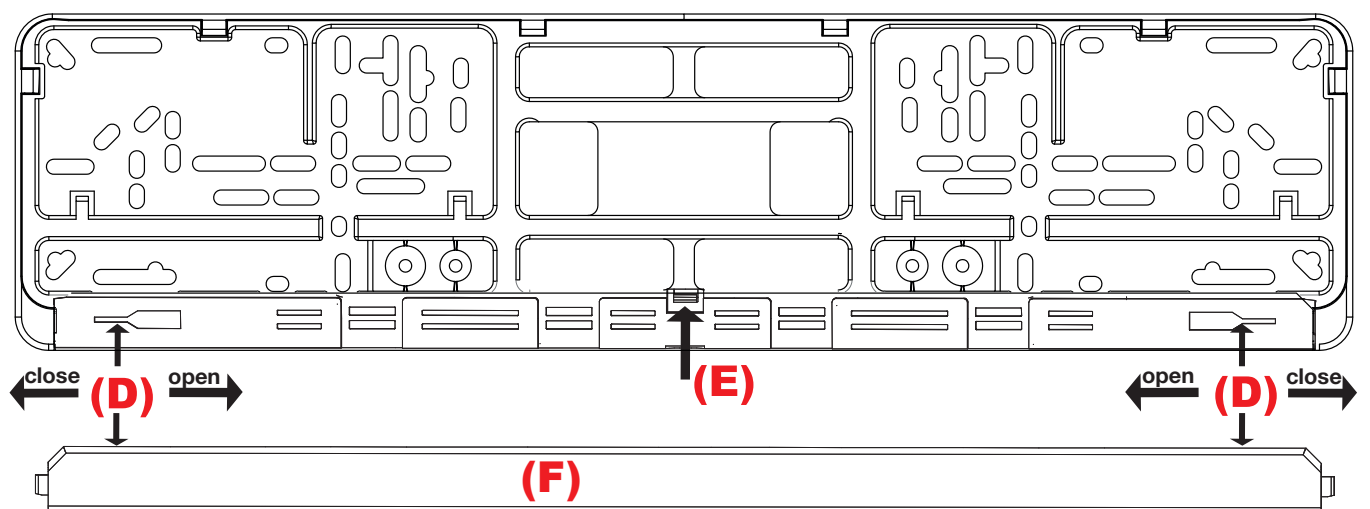


Licence plate holder Titan 520s • Item-no.: 108-000.02



1. Screw the licence plate holder suitable, as required quarry out the washer **(A)** and use it while screwing.
2. Below the bottom end strip are sitting 4 ports **(B)** visible without the end strip or touchable. At these ports the end strip is fixed at the holder.
3. Start to open the holder at the middle port. Use the special key **(C)** or a slotted screwdriver. Collar it above or below the cleaves between the holder and the end strip. Screw it soft without force or remove it till the hooks detach from the holder plate (4 times). Finally push back the edges (left and right) inward **(D)** of the end strip and lift out upwards. Detach the licence plate at the fixing point **(E)** and remove it upwards. Done.



4. Place the licence plate bottom-up and press it till it clicks into the fixing point **(E)**. Primarily insert the end strip at the edges on the left and right side, then press it on the holder. Done.